

Registered Address: Chemicea Pharmaceuticals Pvt Ltd, Platinum Springs,
Unit No- A- 205&206 Second floor, Plot No: G-6, G-20 to G 24, Taloja- MIDC, Opp. Dena Bank
Navi Mumbai 410208, MH, INDIA. Email- info@chemicea.com Mob- +91 9284897978

CERTIFICATE OF ANALYSIS

Analysis Date:

Re-test Date:

Product Name: Carboxymethylcellulose Sodium

Identification:

Chemical Name: Cellulose carboxymethyl ether sodium salt

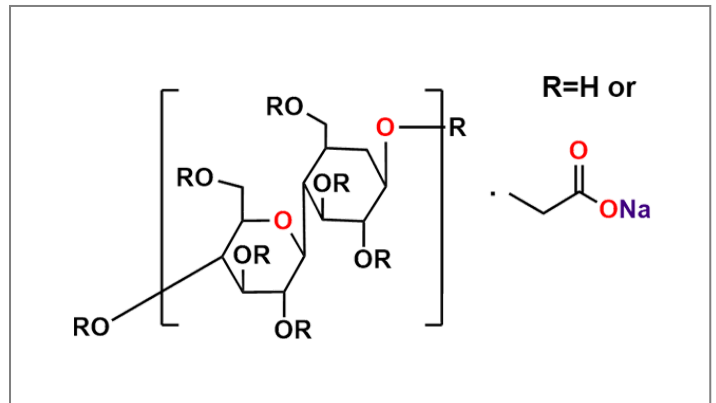
Synonyms : Sodium Carboxymethyl Cellulose ; Carboxymethylcellulose Sodium Salt ; Tylose Sodium ; Sodium Tylose ; Sodium Cellulose Glycolate ; Cellulose Glycolic Acid Sodium Salt ; Carmellose Sodium

CAS Number : 9004-32-4

CAT Number : CP-1096553

Molecular Formula : NA

Molecular Weight : NA



Analytical Information:

Sr. No.	Test	Result
1)	Description	Solid
2)	Solubility	Soluble in Methanol/DMSO
3)	MASS By LCMS	Confirm to structure
4)	Purity By HPLC	>98%
5)	H1NMR	Confirm to structure

Prepared and Reviewed By

Approved By



Ms Priyanka Salunkhe
(Manager QC Analytical)

Ms Rohini Gagare
(QA Head)

Note: Product supplied by Chemicea are for R&D purpose only and not for human consumptions.