

Registered Address: Chemicea Pharmaceuticals Pvt Ltd, Platinum Springs,
Unit No- A- 205&206 Second floor, Plot No: G-6, G-20 to G 24, Taloja- MIDC, Opp. Dena Bank
Navi Mumbai 410208, MH, INDIA. Email- info@chemicea.com Mob- +91 9284897978

CERTIFICATE OF ANALYSIS

Analysis Date:

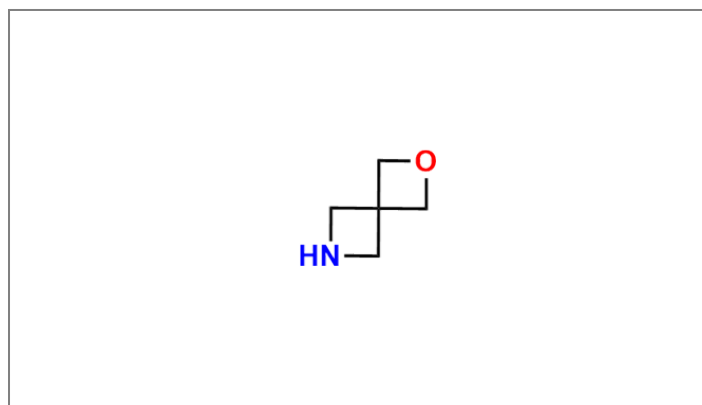
Re-test Date:

Product Name: 2-Oxa-6-Azaspiro[3.3]heptane

Identification:

Chemical Name: 2-oxa-6-azaspiro[3.3]heptane

Synonyms : NA
CAS Number : 174-78-7
CAT Number : CP-A277006
Molecular Formula : C₅H₉NO
Molecular Weight : 99.13



Analytical Information:

Sr. No.	Test	Result
1)	Description	Solid
2)	Solubility	Soluble in Methanol/DMSO
3)	MASS By LCMS	Confirm to structure
4)	Purity By HPLC	>95%
5)	H1NMR	Confirm to structure



Prepared and Reviewed By

Ms Priyanka Salunkhe
(Manager QC Analytical)

Approved By

Ms Rohini Gagare
(QA Head)

Note: Product supplied by Chemicea are for R&D purpose only and not for human consumptions.